



***Smart Realtime-PCR detector***

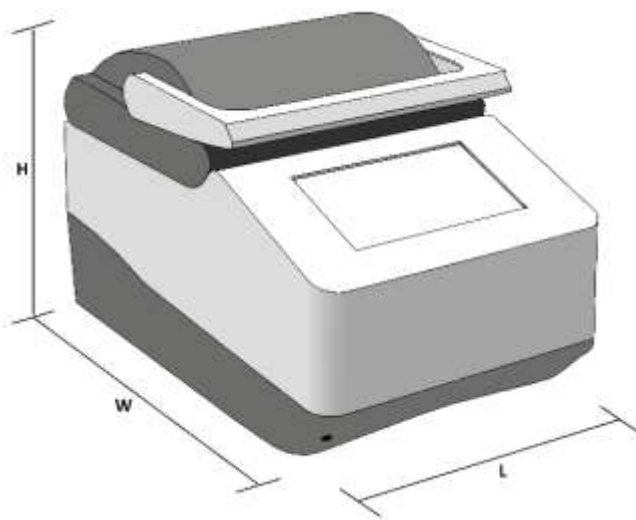


***Md-k PLUS***

**Md-k PLUS** is the new Realtime-PCR detector for medium routines made available by IMMUNOSPARK. Thanks to its *easy-to-use* software and to the easily applicability to a wide range of techniques it can be used in several molecular biology laboratory.

The polychromatic touch screen guarantee a quick user interface while it is possible to use by PC to better elaborate the DATAs.

The 48 wells allow to support the laboratory routine without delay! The big lid guarantee an excellent temperature control



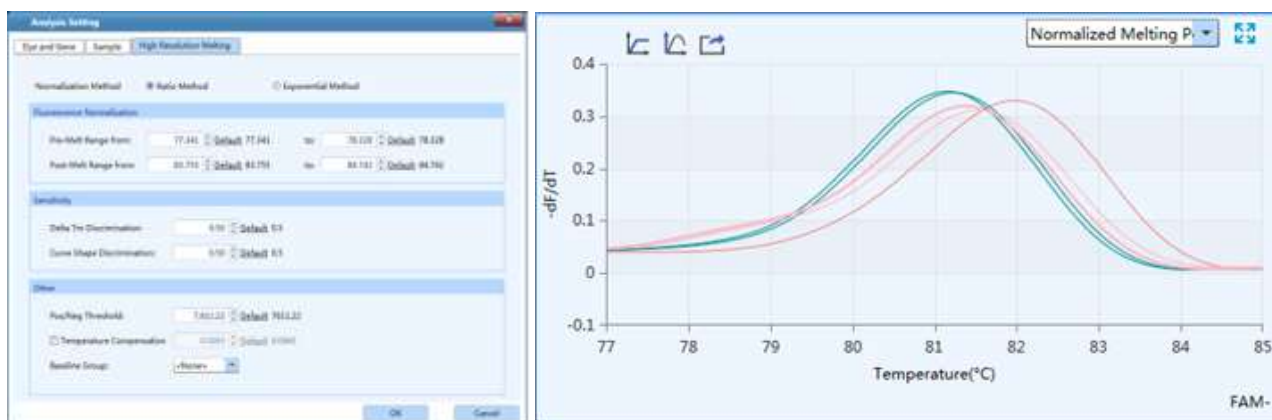
**Small foot-print: Md-k PLUS** is small and light, allowing to find a good space in the typically size reduced molecular biology laboratory.

L = 26, W = 40, H = 26 cm.  
Weight = 11 kg!!

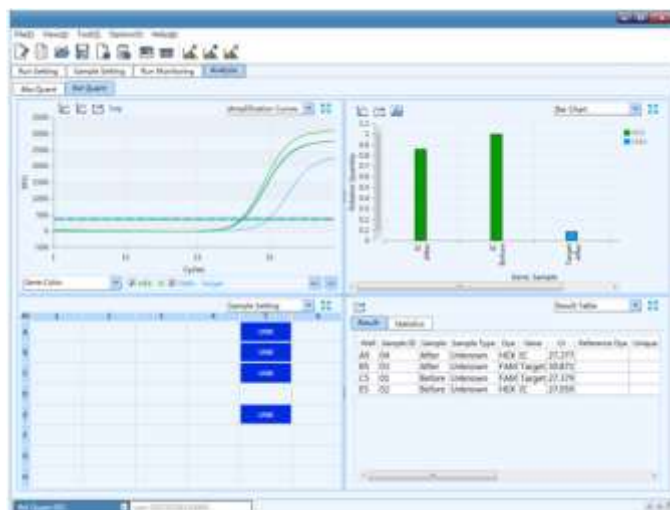
**Really easy-to-use software:** the software of **Md-k PLUS** has been designed to simplify the approach to the test session and DATAs analysis for Molecular assays routines. The thermal profile setup and layout are composed through a clear graphic interfaces.



**High sensitivity: Md-k PLUS** can perform several kind of analytical model including **HRM (High Resolution Melting)**. The parameters are set in an intuitive setting user interface and the results are available in a simple graphic format.



**Data analysis:** generally speaking **Md-k PLUS** presents the results of the analytical routine through a graphic compatible with other units commercially available. The result includes also BAR CHARTS.



**Optical module: Md-k** has an optical module based on a **LED light source** with an high durability and sensitivity. The unit can be equipped with 2 channels and can be easily upgraded to a 4 channels system, using a specific USB upgrade kit.

The upgrade can be realized also in the customer site.

## Technical specifications

Specification	Description
Light Source	High Power LED
Detector	Photodiode
Heating/Cooling Model	Peltier
Ramping Rate(Max.)	6.1°C/s
Thermal Uniformity	±0.1°C
Thermal Accuracy	±0.1°C
Temperature Range	4-100°C
Sample Format	48 Wells
Multi connection	Up to 10 instruments with the same PC
Temperature gradient	Available
Sensitivity of Detection	1 Copy
High Resolution Melt	Available
Multiplexing	Up to 4 Dyes, FAM, SYBR GREEN 1, VIC, HEX, TET, JOE, ROX, Texas RED, Cy5
Dimensions	260×400×260 mm (L×W×H)
Net Weight	11.00 kg
PC Requirement	WIN2000;XP; WIN7;WIN8
Operation Temperature	10-30°C
Storage Temperature	-20-55°C if packaged
Ambient Humidity	Operational:20-85% Storage Humidity:5-93%
Power Supply	AC 100-240V , 50-60Hz , 600VA

## To place an order:

<b>REF</b>	<b>Product name</b>
EQMD004PLUS	<i>Md-k</i> PLUS Realtime-PCR detector